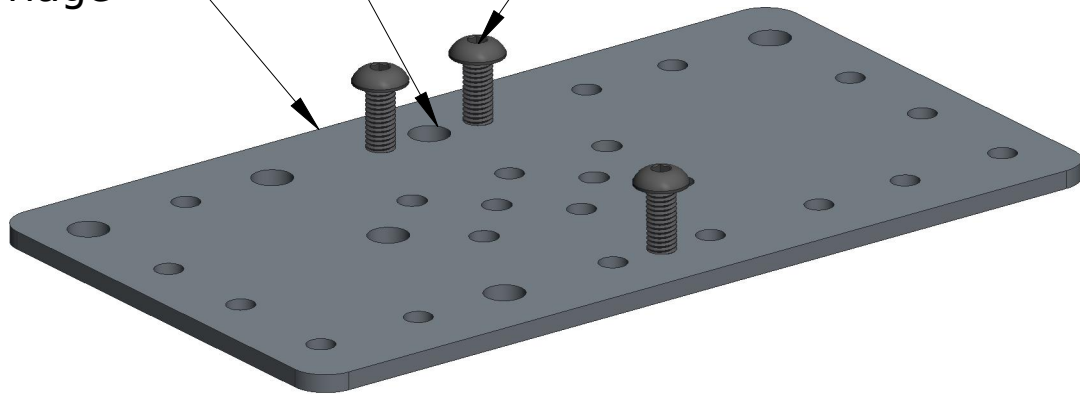


Step 1 Motor Sub Assembly

Note: Wider hole is on this side. (not used)

25200-01
Carriage

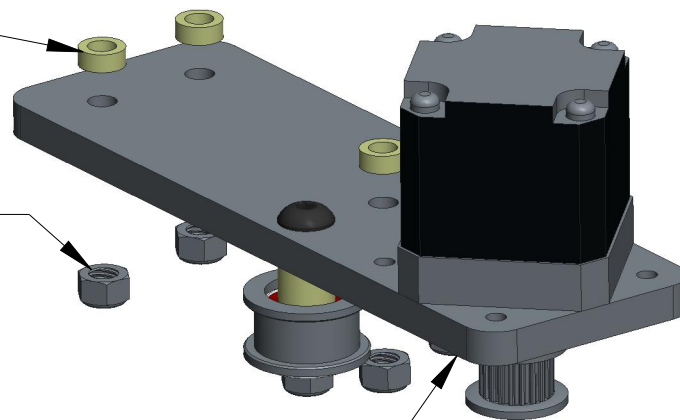
25286-04
Button Head Screw M5 x 25mm
Qty 3



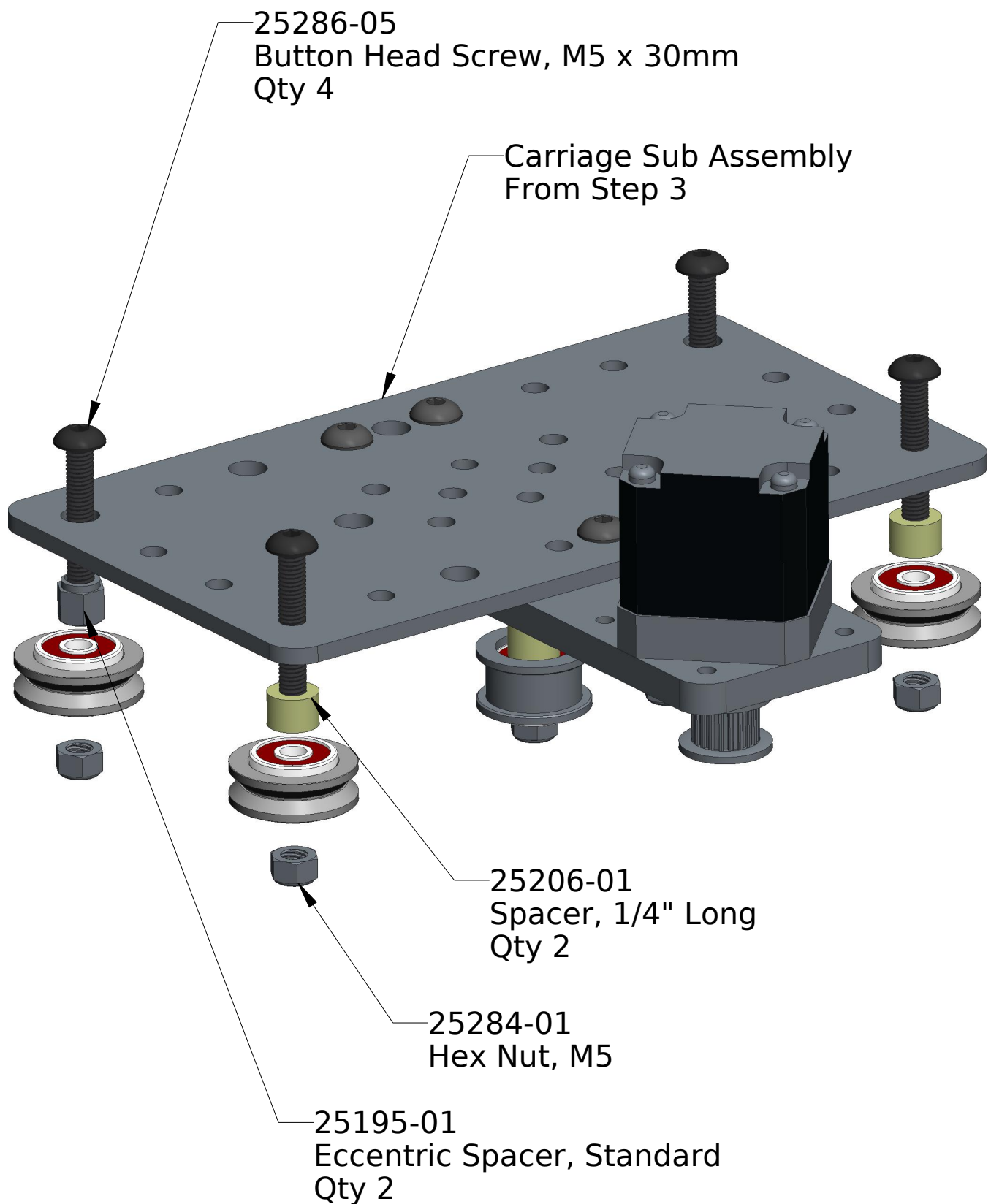
25312-11
Spacer 1/8" Long
Qty 3

25284-01
Hex Nut, M5
Qty 3

Motor Sub Assembly
From: Step 1



Step 2 Carriage Sub Assembly



25286-05
Button Head Screw, M5 x 30mm
Qty 4

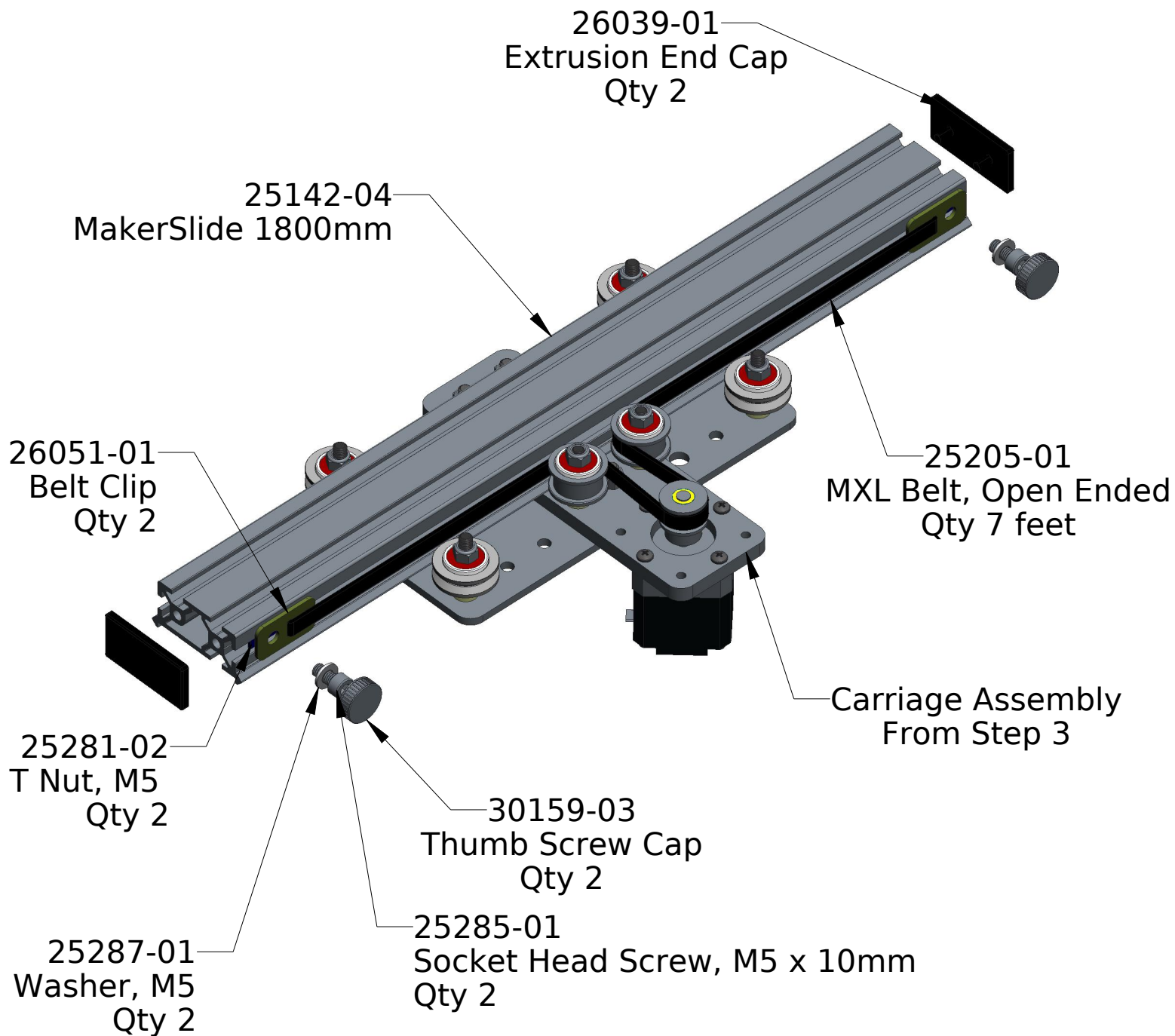
Carriage Sub Assembly
From Step 3

25206-01
Spacer, 1/4" Long
Qty 2

25284-01
Hex Nut, M5

25195-01
Eccentric Spacer, Standard
Qty 2

Step 3 **Carriage Final Assembly**



Step 4
Final Assembly
(Bottom View)